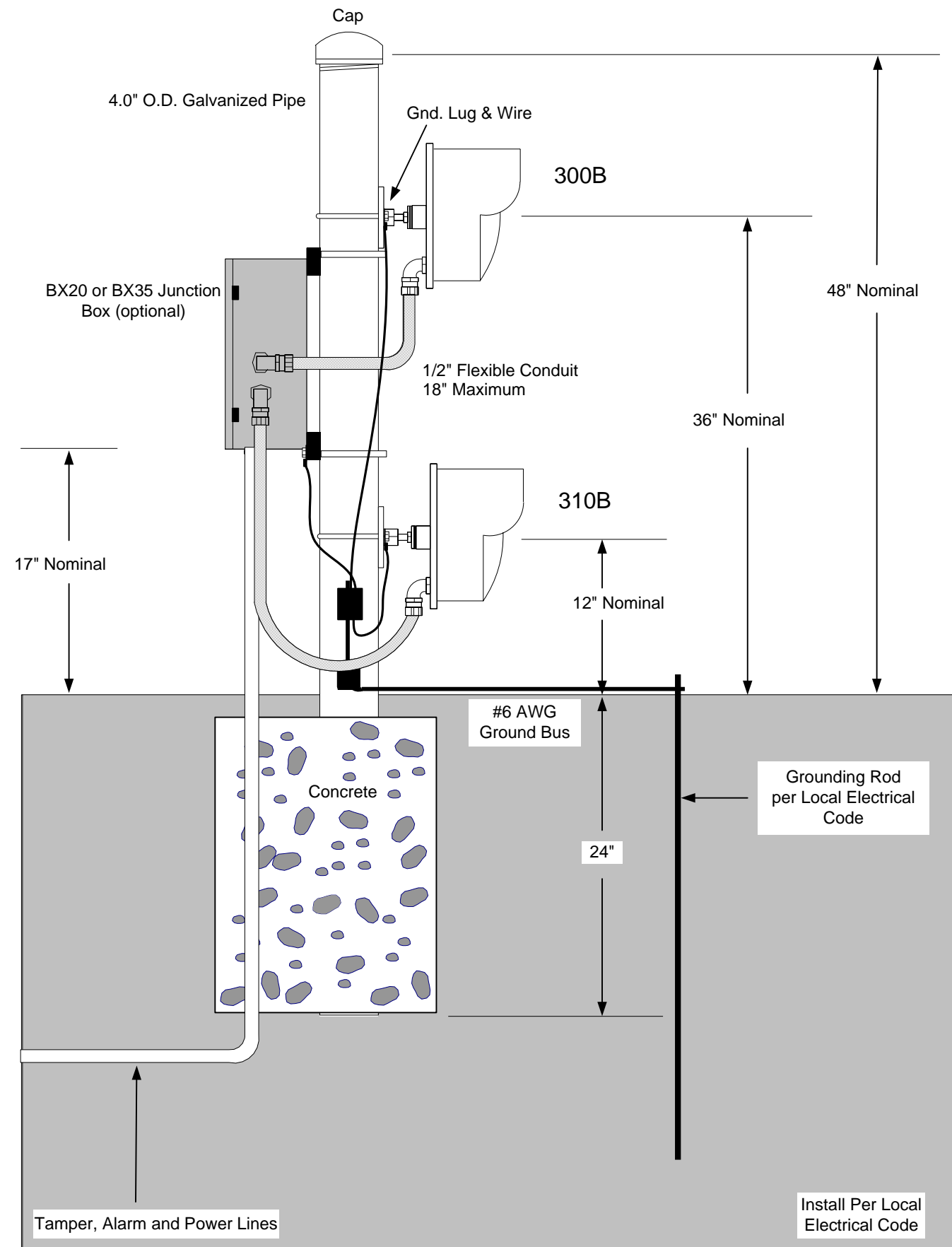
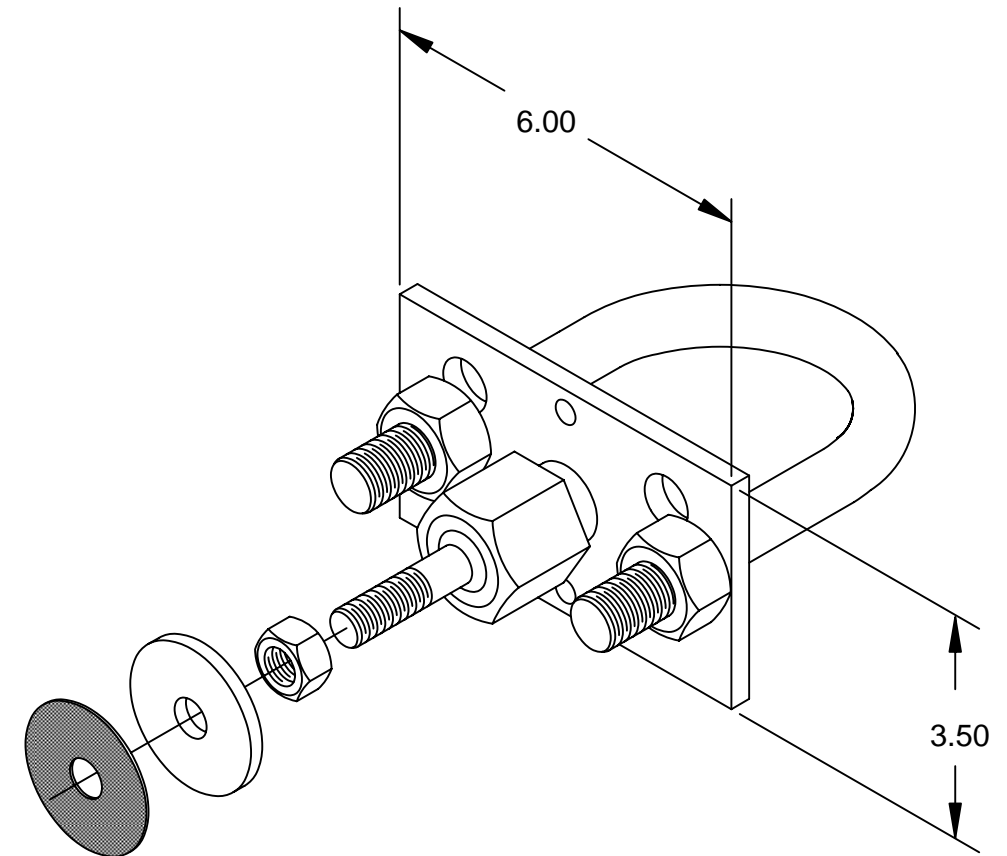


Typical Stacked Microwave Mounting



MB62 Mounting Bracket



STANDARD MOUNTING POST DIAMETER (O.D.); 4.00
 OPTIONAL MOUNTING POST DIAMETER (O.D.); 3.50
 NOTE: U-BOLTS FOR A 3.5" O.D. POST ARE NOT INCLUDED WITH THE MB62
 APPROXIMATE WEIGHT: 2.50 POUNDS

This Document Is For Reference Only.

		Southwest Microwave, Inc. 9055 South McKemy Street Tempe, AZ. 85284-2946 U.S.A. Telephone (480) 783-0201	
		TITLE Double Stacked Microwave With MB62 Mounting Bracket – Typical Mounting	
SCALE	NTS	DATE	August 6, 2004
DRAWN	TG		