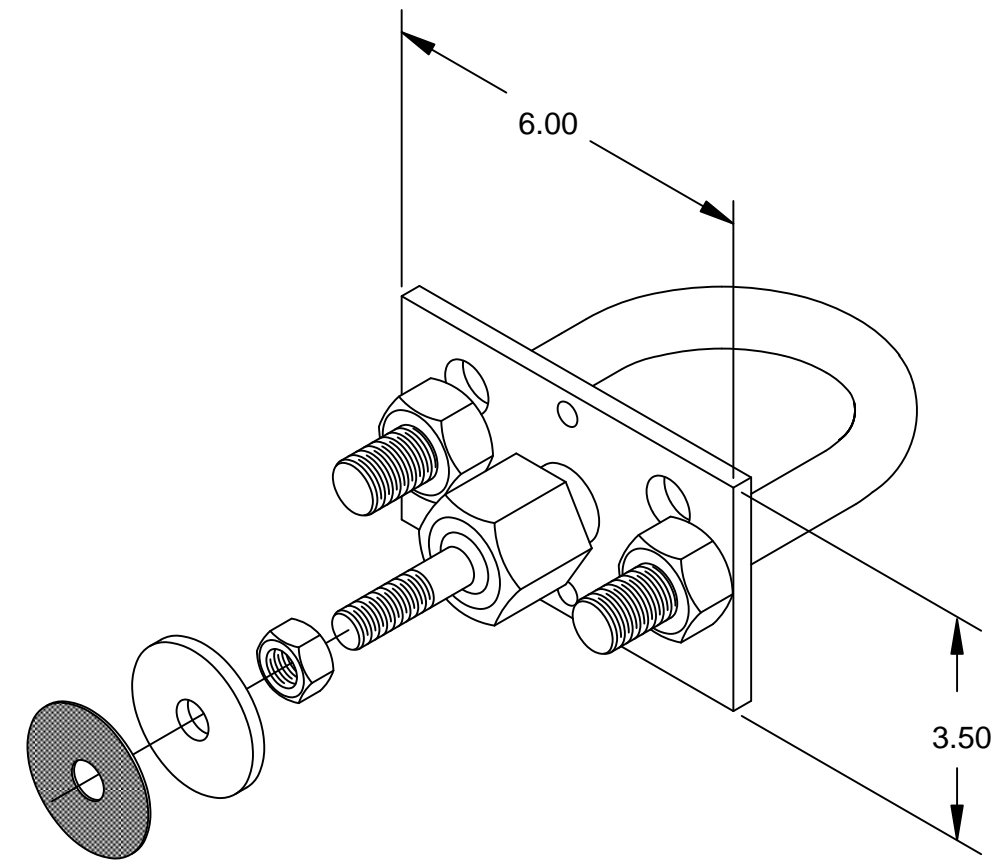
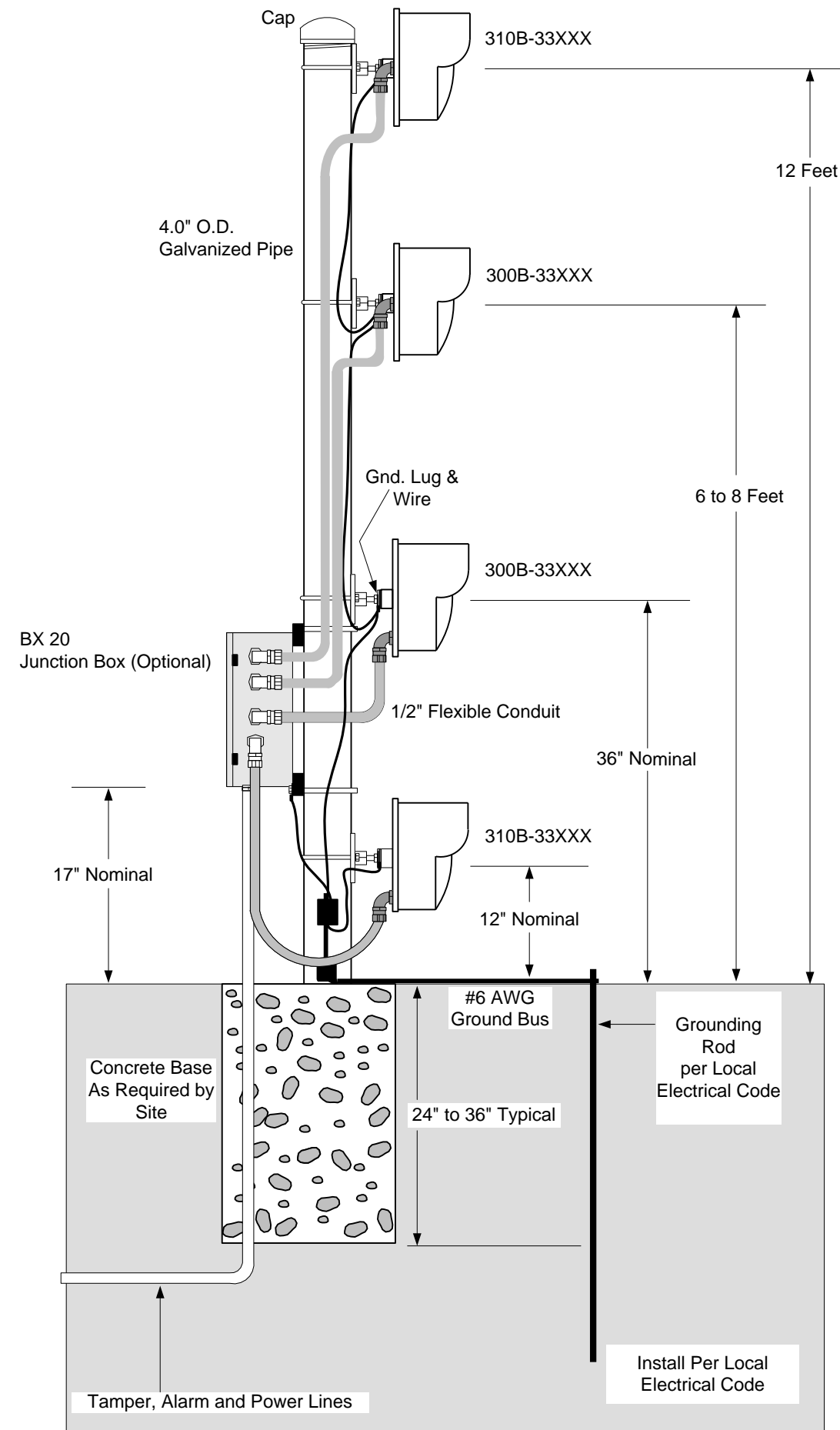


MB62 Mounting Bracket



STANDARD MOUNTING POST DIAMETER (O.D.); 4.00
 OPTIONAL MOUNTING POST DIAMETER (O.D.); 3.50
 NOTE: U-BOLTS FOR A 3.5" O.D. POST ARE NOT INCLUDED WITH THE MB62
 APPROXIMATE WEIGHT: 2.50 POUNDS

This Document Is For Reference Only.



 Southwest Microwave, Inc. 9055 South McKerny Street Tempe, AZ. 85284-2946 U.S.A. Telephone (480) 783-0201	
TITLE Quad Stack Microwave with MB62 Mounting Bracket - Typical	
SCALE	NTS
DRAWN	TG
DATE	February 23, 2007