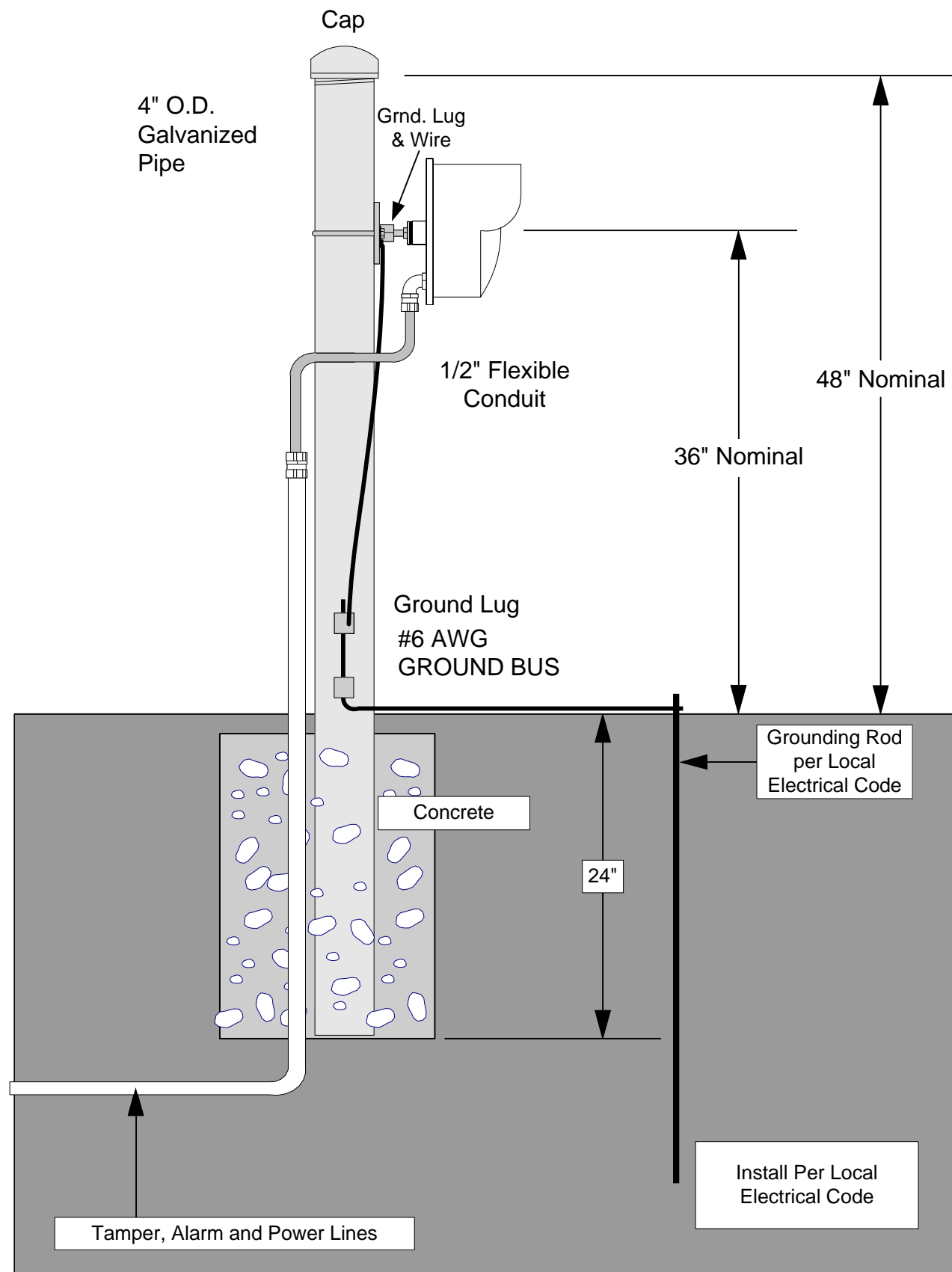
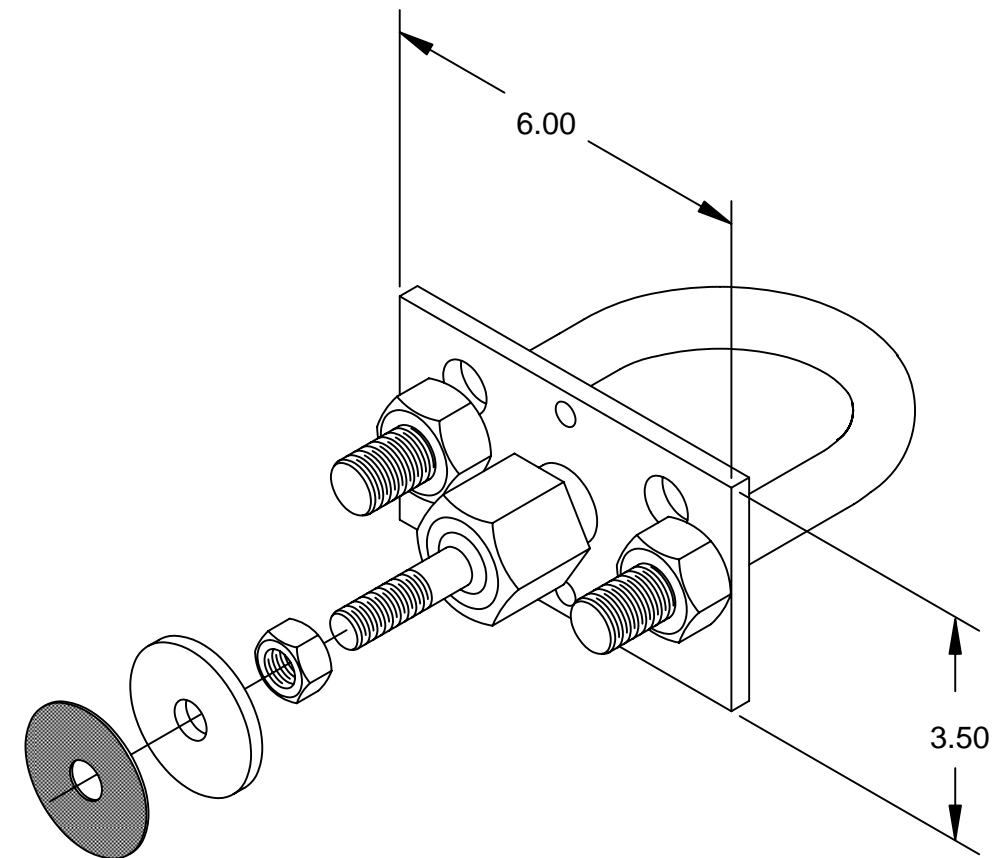


Typical Single Microwave Mounting



MB62 Mounting Bracket



STANDARD MOUNTING POST DIAMETER (O.D.); 4.00

OPTIONAL MOUNTING POST DIAMETER (O.D.); 3.50

NOTE: U-BOLTS FOR A 3.5" O.D. POST ARE NOT INCLUDED WITH THE MB62

APPROXIMATE WEIGHT: 2.50 POUNDS

This Document Is For Reference Only.

		Southwest Microwave, Inc. 9055 South McKemy Street Tempe, AZ. 85284-2946 U.S.A. Telephone (480) 783-0201
TITLE	Single Microwave Mounting With MB62 Mounting Bracket – Typical	
SCALE	NTS	
DRAWN	TG	DATE August 6, 2004