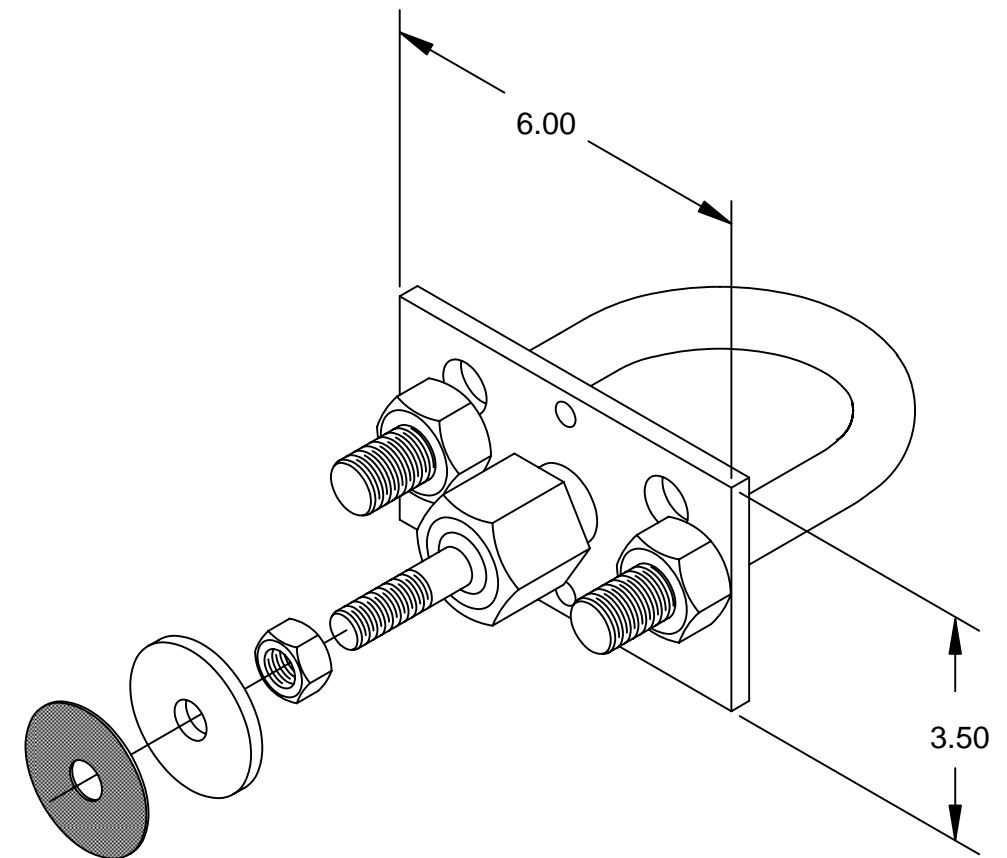


### MB62 Mounting Bracket



STANDARD MOUNTING POST DIAMETER (O.D.); 4.00  
 OPTIONAL MOUNTING POST DIAMETER (O.D.); 3.50  
 NOTE: U-BOLTS FOR A 3.5" O.D. POST ARE NOT INCLUDED WITH THE MB62  
 APPROXIMATE WEIGHT: 2.50 POUNDS

This Document Is For Reference Only.

|   |  |   |
|---|--|---|
|  |  | Southwest Microwave, Inc.<br>9055 South McKemy Street<br>Tempe, AZ. 85284-2946 U.S.A.<br>Telephone (480) 783-0201 |
| TITLE   | Triple Stacked Microwave<br>With MB62 Mounting Bracket – Typical |   |
| SCALE   | NTS  |   |
| DRAWN   | TG   | DATE August 6, 2004   |