

Alphalogic INTREPID™ Series II Integration

Integration overview

Alphalogic is a security and building management software platform from ALPHAOPEN, which effectively integrates and controls various third-party systems including perimeter intrusion detection systems and IP security cameras, taking full advantage of leading open system standards such as ONVIF, Modbus TCP/RTU/ASCII, OPC UA, BACnet, etc.

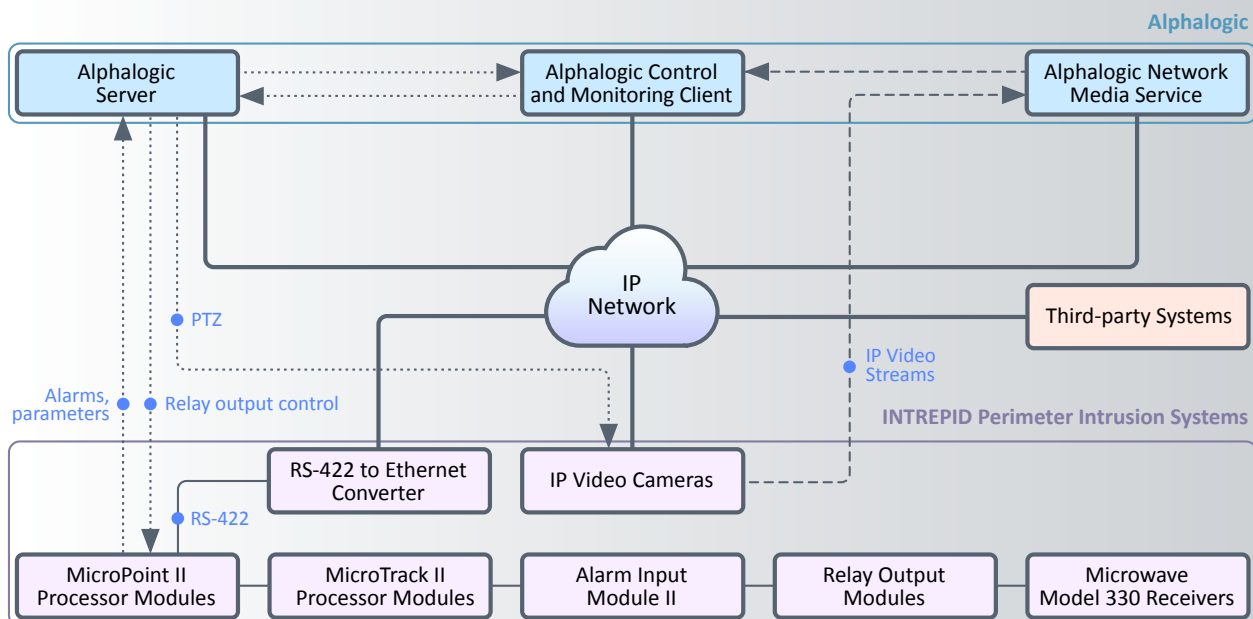
The Alphalogic platform now offers a complete integration with the INTREPID Series II Perimeter Detection System from Southwest Microwave including:

- MicroPoint II Processor Module
- MicroTrack II Processor Module
- Alarm Input Module II
- Relay Output Modules II-8 & II-16
- Microwave Model 330 Receiver

This broad-featured adapter enables security operators to receive intrusion, tamper and service alarms from INTREPID fence, buried cable and digital microwave detection systems through the Alphalogic head-end, and presents visual information as objects on the map, event lists, graphs or other formats. The Alphalogic platform also provides monitoring of surveillance video associated with events from integrated systems, triggering CCTV presets programmed to correspond with INTREPID Series II detection zones for precise assessment of alarms.



The following diagram demonstrates the equipment configuration for a complete Alphalogic system being used in conjunction with the Southwest Microwave INTREPID Series II Perimeter Detection System:



Legend: — IP Network - - - RS-422 ····· Interactions - - -> Video Streams

Functionality

The Alphalogic - INTREPID Series II integration combines accurate identification of unauthorized intrusions with monitoring and analysis of alarm events. The platform supports the following capabilities upon trigger of an alarm from an INTREPID device:

- Acceptance and processing of intrusion, tamper and service alarms
- Automatic positioning of CCTV camera presets to correspond to INTREPID detection zones when an alarm is triggered
- Playback or recording of live IP-camera video from any zone within the protected area
- Visual illustration of alarm locations on graphic map or mobile device
- Triggering of pre-programmed Operator response scenarios
- SMS, email or third-party notification of a detected breach
- Historical alarm analysis (using Alphalogic Reporting Service)

About Southwest Microwave

In 1971, Southwest Microwave introduced the world's first commercial bistatic microwave sensor. Today, the company's extensive range of field-proven sensor technologies offer unparalleled protection against unauthorized site access and are internationally recognized for providing precise, immediate detection of perimeter disturbances in security-sensitive applications and harsh exterior environments. 70,000 Southwest Microwave detection systems in 80+ countries now reliably secure broad-ranging facilities – from government and military installations to critical utilities, industrial and corporate campuses, correctional institutions, transportation centers and VIP residences. www.southwestmicrowave.com

About Alphaopen

ALPHAOPEN is a leading developer of Security and Building Management software solutions used in commercial, government and residential applications throughout Russia and Europe. The company's software design strategy focuses on employing leading-edge development approaches to integrate all of a facility's physical security devices and building automation controllers into a global intelligent security and building management system delivering real time situation management.

ALPHAOPEN total security and building management solutions integrate CCTV, access control, intrusion detection, fire protection, critical condition monitoring, lighting systems and more.

ALPHAOPEN software solutions facilitate management and control of multiple systems without sacrificing efficiency, comfort, productivity or the flexibility for future expansion. Furthermore, we offer a broad range of services, from consultancy and design support to complete systems integration project management. www.alphaopen.com

ALPHAOPEN can help you:

- Achieve the most effective, best-value management software solutions
- Deploy tailored solutions to meet your facility's security and building management goals
- Optimize system lifecycle value

